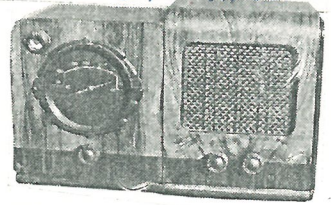
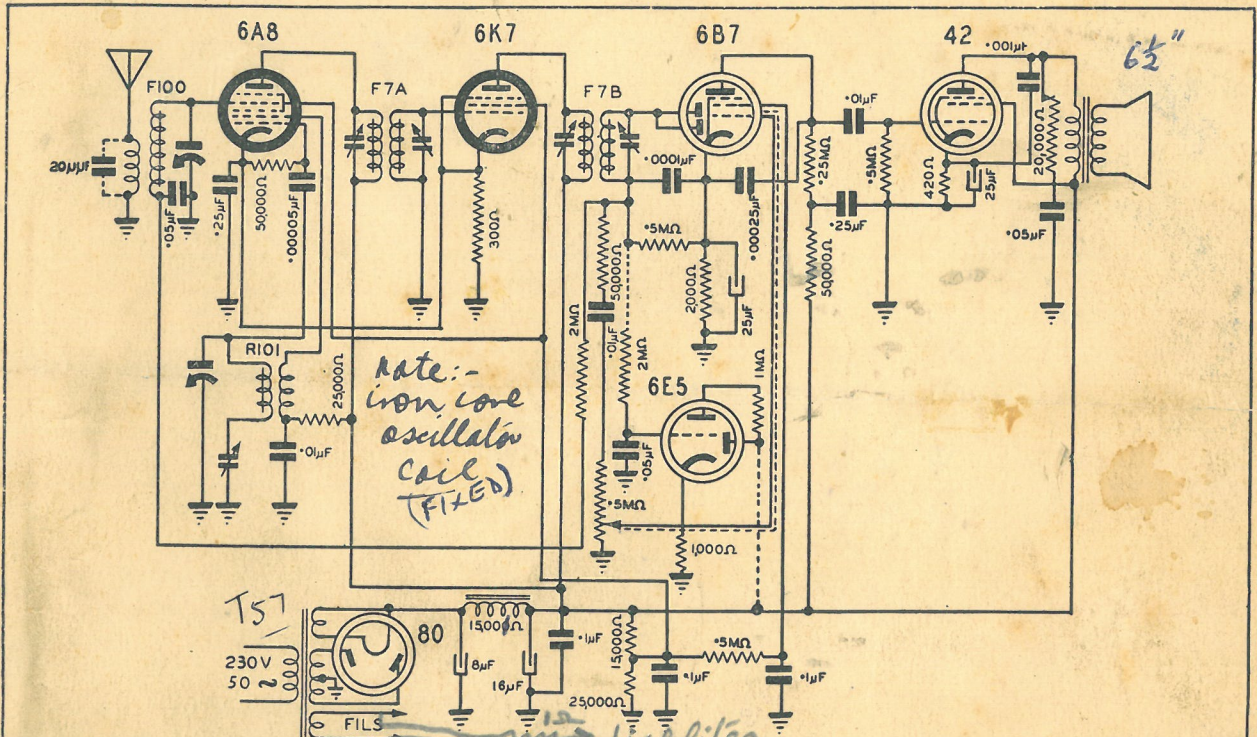


open at 14/38

Columbus 84- 9/1/38

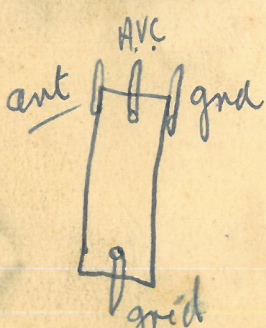


Model 84 6-valve BC 1938-39
Note use of woven metal grille.



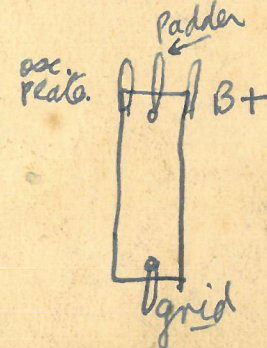
DESIGN	LAB	MODEL 84E	BROADCAST RADIO RECEIVER	AMENDMENTS	CHKD	DATE
DRAWN	<i>gms</i>	D 296	RADIO CORPORATION OF NEW ZEALAND.			
CHECKED	<i>ZH</i>					
DATE	22-3-38					

F100 coil leg code



late models only
(incorporate as modification)

R101

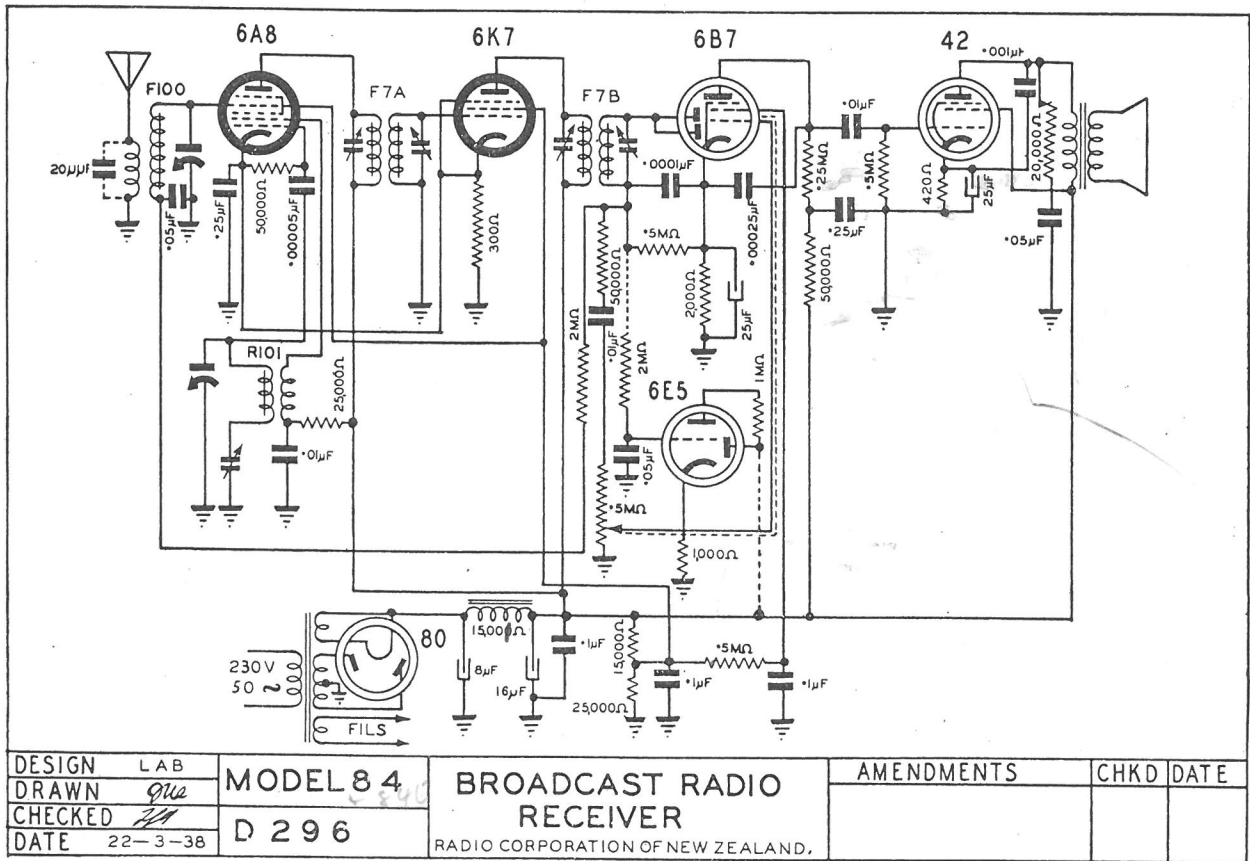


Feature: 1/4 29 IFT cans

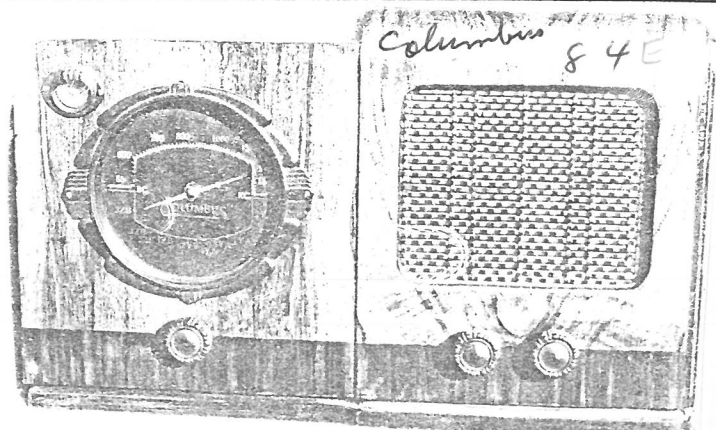
R.N.Z.

RADIO CORPORATION OF NEW ZEALAND LTD.

H. L. Byrn,
Radio Dealer,
Queen Street,
Masterton.



DESIGN	LAB	MODEL 84	BROADCAST RADIO RECEIVER	AMENDMENTS	CHKD	DATE
DRAWN	gme					
CHECKED	gme	D 296	RADIO CORPORATION OF NEW ZEALAND.			
DATE	22-3-38					



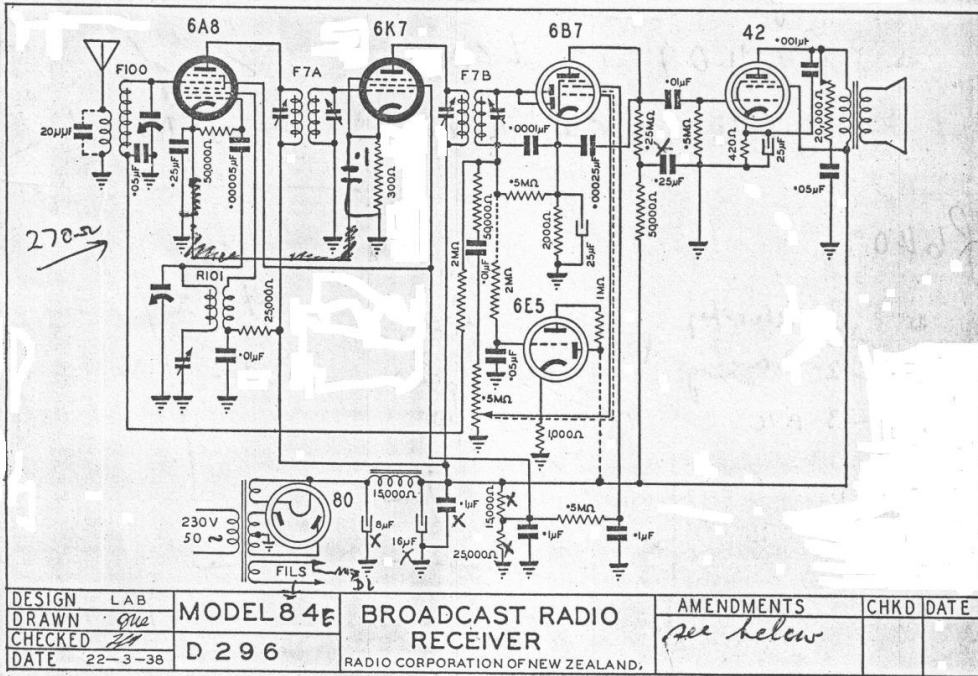
epmc copy
27a

AE

R.N.Z.

RADIO CORPORATION OF NEW ZEALAND LTD.

PROPERTY OF
J.W.S. OKES.



DESIGN	LAB	MODEL	B 4E	BROADCAST RADIO	AMENDMENTS	CHKD	DATE
DRAWN	gla	D 296		RECEIVER	see below		
CHECKED	gla			RADIO CORPORATION OF NEW ZEALAND,			
DATE	22-3-38						

mod use resist bias on mix & IF



Courtenay model 84 sn89023. Photo: James Davidson

